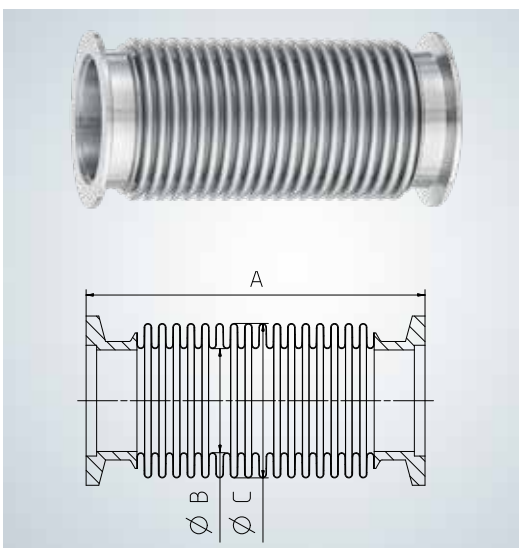


# PRODUCT OVERVIEW

## HYDRA® FLEXIBLE VACUUM COMPONENTS

Vacuum systems have built in a large number of different elements such as pumps, pre-pumps, chambers, etc. These elements have to be connected vacuum-tight in order to interact with each other. To make installation easier, to compensate disalignments, to take up movements and to guide the vacuum you need flexible vacuum components. With the aim of covering a large number of applications, we offer a wide variety of vacuum components with different fittings, lengths and diameters. Through a great selection of vacuum components and available inventory we can fulfill a broad range of customer requests with a short delivery time.



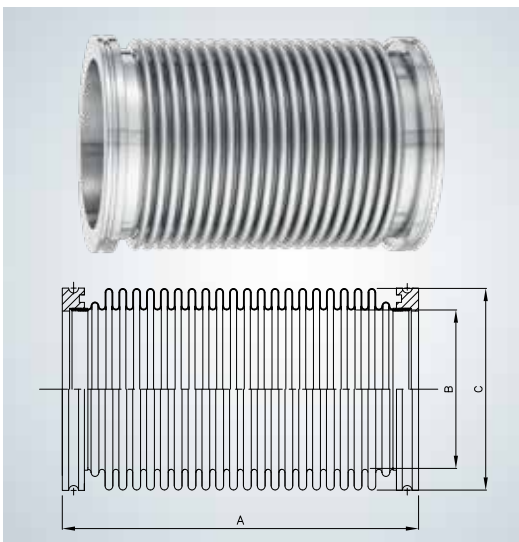
### HYDRA® Corrugated Bellow - Type BAT

HYDRA® bellow type BAT is a mechanical corrugated bellow with two different flange connections. The bellows are made of 1.4541, the flanges of 1.4301.

- DN 16 - DN 50: KF-flanges according to DIN 28403
- DN 65 - DN 100: K-flanges according to DIN 28404
- Working pressure: 10<sup>-8</sup> hPa to 500 hPa
- Minimum leakage rate: <10<sup>-8</sup>  $\frac{\text{mbar}\cdot\text{l}}{\text{s}}$
- Temperature range: -196 °C to +300 °C

#### Availability and Dimensions (Custom Lengths on Request):

DN	Fitting	A [mm]	B [mm]	C [mm]	In Storage
16	ISO-KF	105	17,20	24,00	✓
16	ISO-KF	150	17,20	24,00	✓
20	ISO-KF	150	19,80	28,00	✓
20	ISO-KF	200	19,80	28,00	✓
25	ISO-KF	80	24,60	36,50	✓
25	ISO-KF	105	24,60	36,50	✓
25	ISO-KF	150	24,60	36,50	✓
40	ISO-KF	60	37,00	52,00	✓
40	ISO-KF	115	37,00	52,00	✓
40	ISO-KF	150	37,00	52,00	✓
40	ISO-KF	200	37,00	52,00	✓
50	ISO-KF	100	47,60	66,00	✓
50	ISO-KF	150	47,60	66,00	✓
50	ISO-KF	200	47,60	66,00	✓
65	ISO-K	130	66,70	88,00	✓
65	ISO-K	150	66,70	88,00	✓
80	ISO-K	150	85,00	104,00	✓
100	ISO-K	150	104,50	135,00	✓



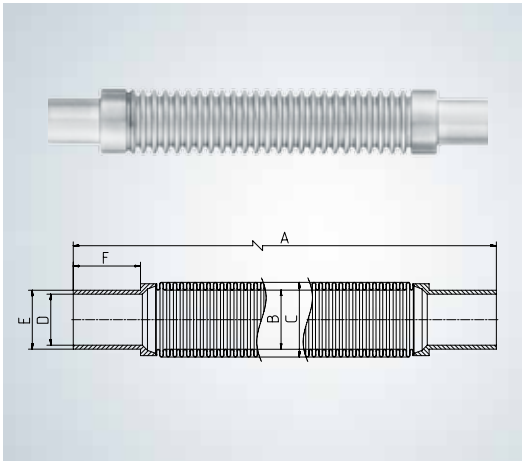
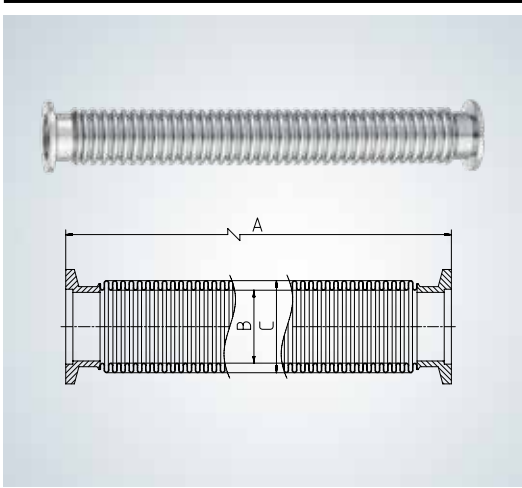
### HYDRA® Expansion Joint - Type AFN

HYDRA® expansion joint type AFN is a mechanical corrugated bellow with flange connections. The bellows are made of 1.4541, the flanges of 1.4301.

- K-flanges according to DIN 28404
- Working pressure: 10<sup>-8</sup> hPa to 500 hPa
- Minimum leakage rate: <10<sup>-8</sup>  $\frac{\text{mbar}\cdot\text{l}}{\text{s}}$
- Temperature range: -196 °C to +550 °C

#### Availability and Dimensions (Custom Lengths on Request):

DN	Fitting	A [mm]	B [mm]	C [mm]	In Storage
125	ISO-K	220	125,00	155,00	✓
160	ISO-K	220	151,00	180,00	✓
200	ISO-K	220	214,00	240,00	✓
250	ISO-K	315	259,00	290,00	✓
320	ISO-K	315	316,00	355,00	✓



### HYDRA® Corrugated Hose - Type RS331L00

HYDRA® corrugated hose type RS331L00 is a corrugated hose with KF-Flanges and FRNFS-Fittings. The hoses and flanges are made of 1.4404, the fittings of 1.4301 / 1.4541.

- KF-flanges according to DIN 28403
- Working pressure:  $10^{-8}$  hPa to 500 hPa
- Minimum leakage rate:  $<10^{-8} \frac{\text{mbar}\cdot\text{l}}{\text{s}}$
- Temperature range: -200 °C to +550 °C.

#### Availability and Dimensions (Custom Lengths on Request):

DN	Fitting	A [mm]	B [mm]	C [mm]	In Storage
8	ISO-KF	100 - 3000	8,30	12,30	✓
8	FRNFS	100 - 3000	8,30	12,30	✓
10	ISO-KF	100 - 3000	10,20	14,30	✓
10	FRNFS	100 - 3000	10,20	14,30	✓
16	ISO-KF	100 - 3000	16,20	21,70	✓
16	FRNFS	100 - 3000	16,20	21,70	✓
20	ISO-KF	100 - 3000	20,20	26,70	✓
20	FRNFS	100 - 3000	20,20	26,70	✓
25	ISO-KF	100 - 3000	25,50	32,20	✓
25	FRNFS	100 - 3000	25,50	32,20	✓

#### FRNFS-Fitting:

DN	D [mm]	E [mm]	F [mm]
8	4,50	6,35	16,00
10	7,00	9,52	21,00
16	10,00	12,70	24,00
20	16,00	19,05	27,00
25	22,00	25,40	29,00

### Flexible Vacuum Components for Vacuum Pumps

Standard metal hoses, expansion joints and metal bellows are here used as series components. They absorb vibrations and unit movements and decouple these from the pipeline system. The flexible elements used here have a long lifetime. Depending on how they are used, they can be supplied with flanged connections or welded connections.

#### Witzenmann GmbH

Östliche Karl-Friedrich-Str. 134 | 75175 Pforzheim | Germany  
 Phone +49 7231 581 - 0 | wi@witzenmann.com | www.witzenmann.de